



Custom design. Endless possibilities.

Downtown
decorations
Incorporated

ABOUT US

D



- Founded in 2003 to provide custom commercial/municipal décor
- We offer only the highest quality products
- Our focus is on the customer - meeting your needs & exceeding your expectations
- All decorations are built individually to your specifications & preferences
- Collaboration by our dedicated sales & project management teams to facilitate the implementation of your decorations

PROUD MEMBERS OF:



Member of
International Council
of Shopping Centers



International Downtown
Association

Main Street
NATIONAL TRUST FOR
HISTORIC PRESERVATION

WREATH SPECIFICATIONS

D



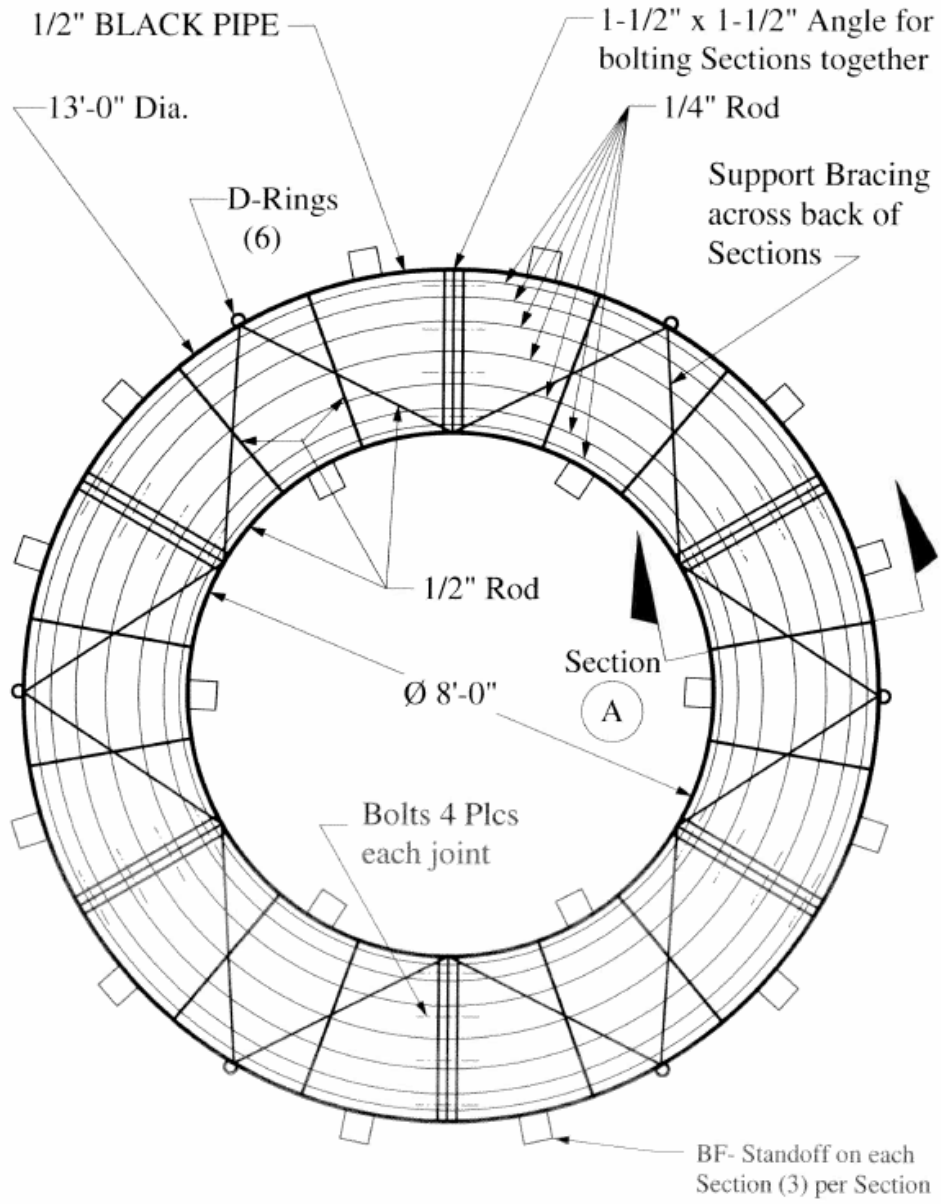
- 5-season warranty
- Steel half-round frames provide incredible depth & fullness for a beautiful, natural appearance, while weighing less than traditional wreaths



- Steel cage frame
- 3-ply (dark green, light green, brown) UV outdoor garland standard. Over 20 different garland options available
- Multitude of décor options to fit design & budget

WREATH SPECIFICATIONS

14' STRUCTURE SHOWN



CUSTOM STORAGE RACKS

D



- Shipping and storage racks are available for an additional charge

LIGHTING SPECIFICATIONS



- C7 Retrofit Bulbs
 - Brighter bulbs feature increased diode counts
 - 7/8" diameter bulb, constructed with durable acrylic plastic - will never fade, peel or crack
 - Low watt LED bulbs save energy and last longer
 - Long lasting bulb life: 60,000 average hours
 - Nickel base prevents corrosion
 - .96 Watts per Bulb
 - On 18 AWG XTW outdoor Wire. UL Listed
 - Professional sockets feature weep holes for trouble free damp weather performance.

LIGHTING SPECIFICATIONS



- 5mm WA Mini
 - 70 Warm White bulbs on a Green wire
 - Energy Saving LED lights remain cool to the touch
 - Virtually unbreakable, colors will not fade or flake
 - Full wave technology
 - If one light goes out, the rest stay lit
 - 200,000 Hour rated
 - 22 AWG Wire
 - UL Listed



30' CUSTOM
WREATH



← 4' CUSTOM WREATH



← 12' CUSTOM WREATH





PUBLIC RESTROOMS

ALTA

1310





wegmans



wegmans





D



BlackBerry
ModerCel
Centro de Negocios

BlackBerry
ModerCel
Centro de Negocios

BlackBerry

Every Charge. Speech. Listen.

POLIPAPEL

Recessed ceiling light

Recessed ceiling light

Recessed ceiling light

Recessed ceiling light

Recessed ceiling light

Recessed ceiling light

Recessed ceiling light

Recessed ceiling light

Recessed ceiling light

Recessed ceiling light

Recessed ceiling light

Recessed ceiling light

Recessed ceiling light

Recessed ceiling light

Recessed ceiling light

Recessed ceiling light

Recessed ceiling light

Recessed ceiling light

Recessed ceiling light

Recessed ceiling light

Recessed ceiling light

Recessed ceiling light

Recessed ceiling light

Recessed ceiling light

Recessed ceiling light

Recessed ceiling light

Recessed ceiling light

LINEAS Y DETALLES

ONLY

FOR
US

BlackBerry

BlackBerry

BlackBerry

POLIPAPEL

POLIPAPEL

POLIPAPEL



THE DDI DIFFERENCE



- **SAFETY:** All of our decorations are produced from the highest quality materials to create a finished product that is both safe & visually superior.
- **QUALITY MATERIALS:** We adhere to the highest production & manufacturing standards in the industry. Our products are produced from the highest quality materials with techniques that allow for ease of installation, long term durability & structural integrity.
- **EASE OF INSTALLATION:** DDI decorations are manufactured to allow for ease of install & to minimize the time & human resources that are required.
- **EXPERTISE AND SUPPORT:** Should you need assistance or advice during your installation, we are here to support & help you in anyway possible.

WARRANTY



Outdoor decorations by Downtown Decorations, Inc. are manufactured to the highest quality industry standards. Downtown Decorations, Inc. warrants to the original buyer that all decorations will be free from defects in material & workmanship. This protection is extended to the original buyer for five (5) Christmas seasons (under normal conditions of use and service) from original date of shipment. Downtown Decorations, Inc.'s obligation under this warranty is limited to repairing or replacing, at its option, any part found to be defective. Maintenance of decorations, labor to install & the cost of shipping are not included in warranty. The warranty extends only to the original buyer when authorized by the factory & once full payment has been received per terms of sales agreement & is expressly in lieu of all other limited warranties expressed or implied. The limited warranty does not cover rope light, bulb burnouts, broken bulbs, electrical shorts, or damage caused by the customer or installer. Rough handling or undue vibration in transit may cause bulb damage. Therefore, units should be tested for bulb outage prior to installing. A reserve quantity of bulbs should be ordered for anticipated replacements. Electronic animation controllers used on some decorations are covered by the original manufacturer's one-year warranty. Products modified by the customer without express written permission from Downtown Decorations, Inc. void warranty. Downtown Decorations, Inc. must be notified of warranty situation by 12/31 in year warranty occurs. Authorized returns must be received at the Downtown Decorations, Inc. facility 30 days from receipt of written return authorization.



ALL RIGHTS RESERVED 2012©
DOWNTOWN DECORATIONS, INC.
6724 JOY ROAD EAST SYRACUSE, NY 13057
TOLL FREE: 877-369-6332 PHONE: 315-432-0646 FAX: 315-432-1948